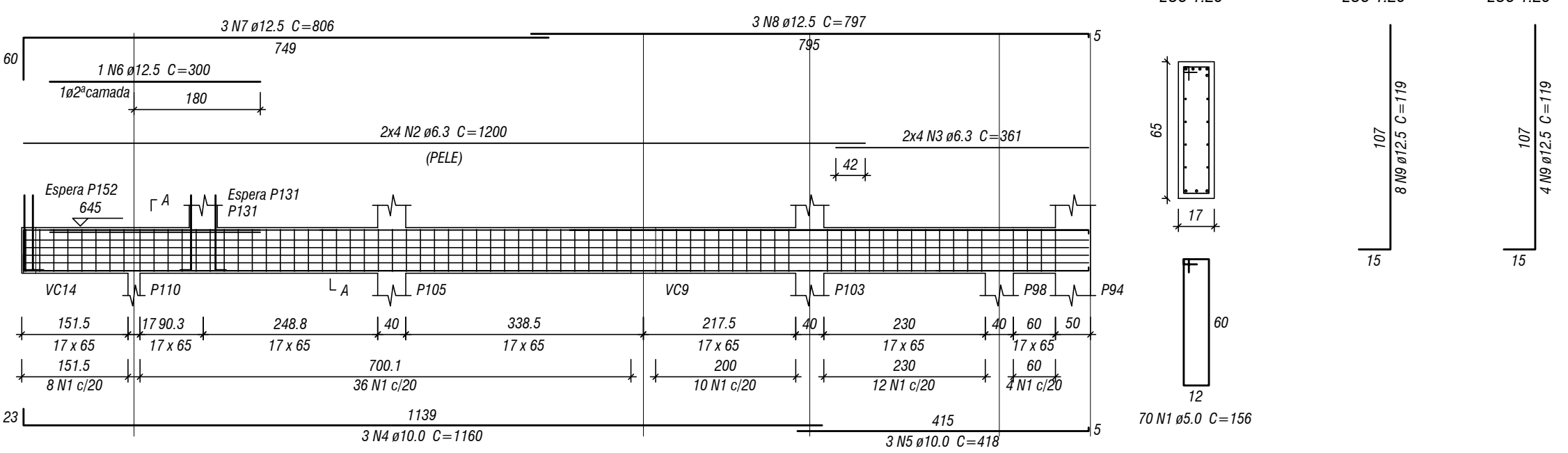
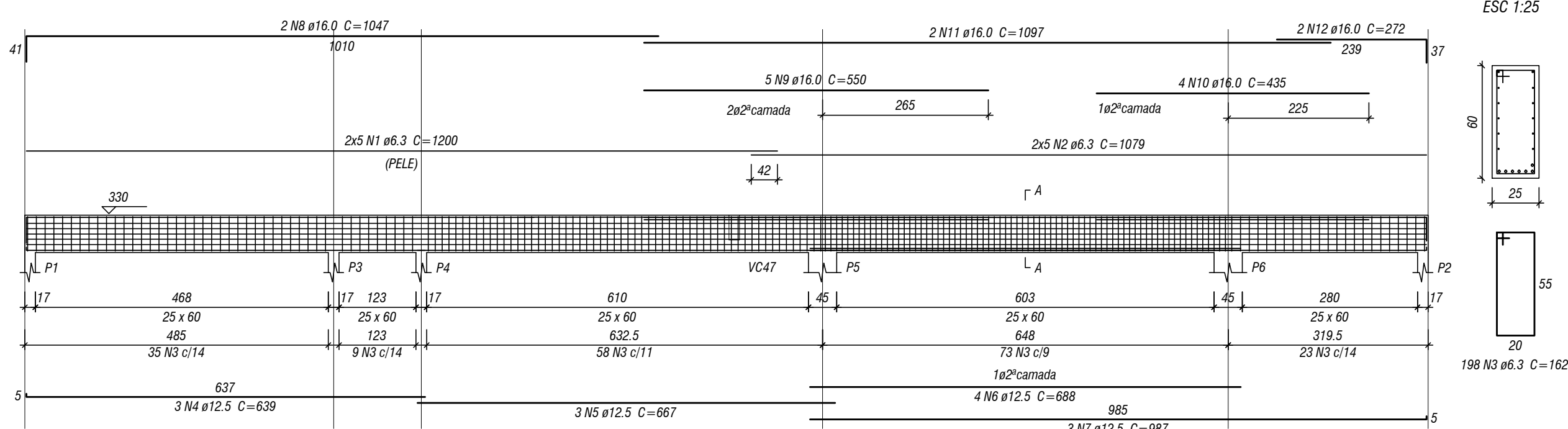


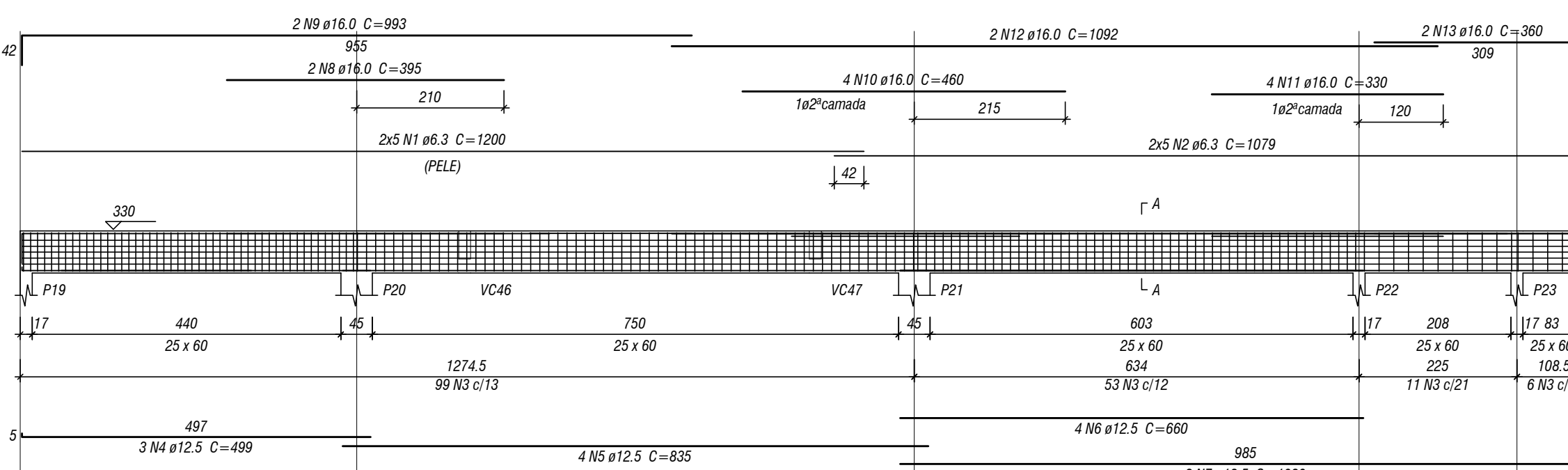
VC37 (17 x 65)



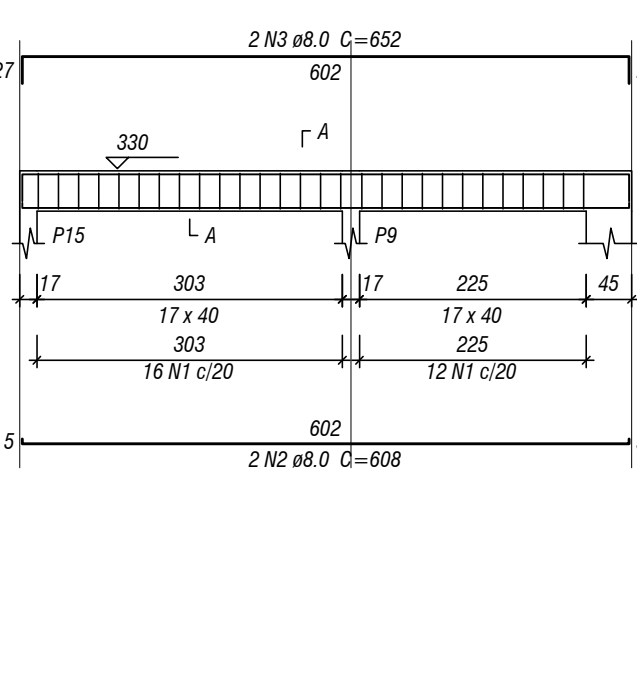
VC38 (25 x 60)



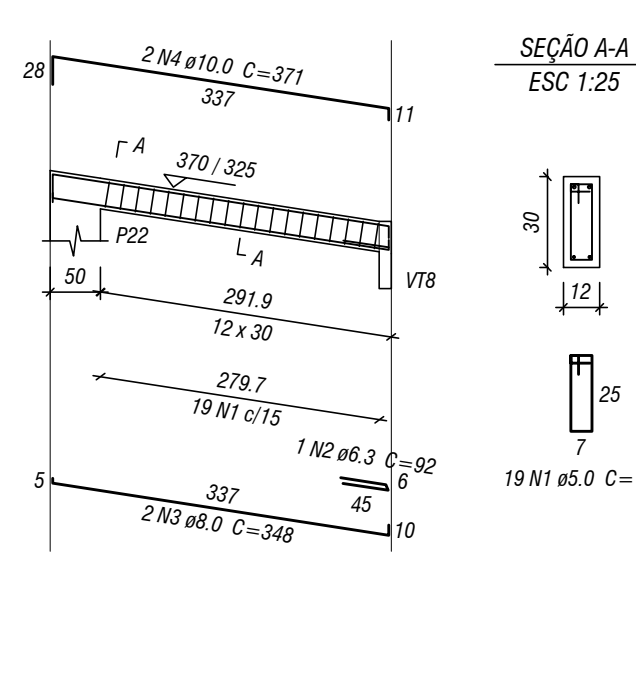
VC41 (25 x 60)



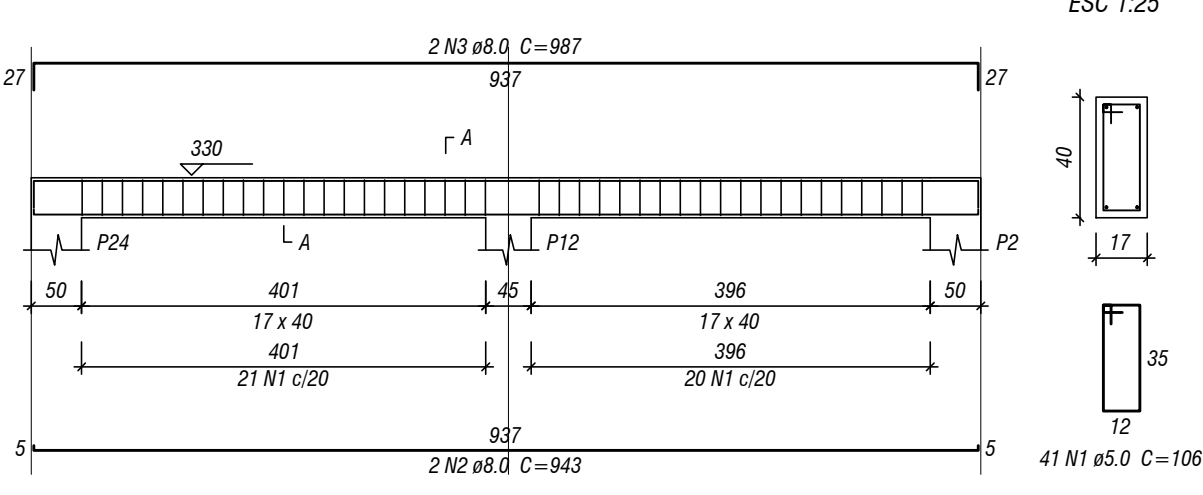
VC45 (17 x 40)



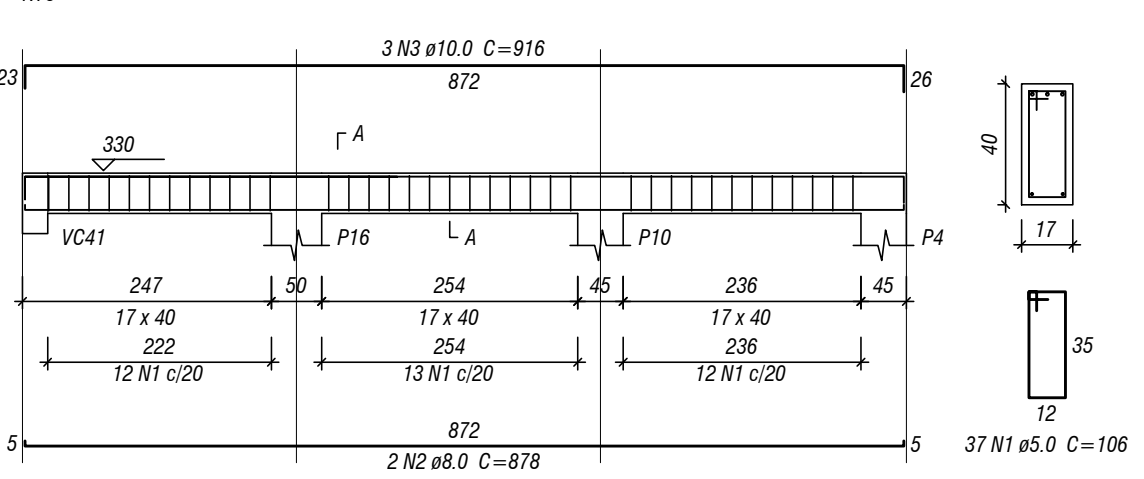
VC49 (12 x 30)



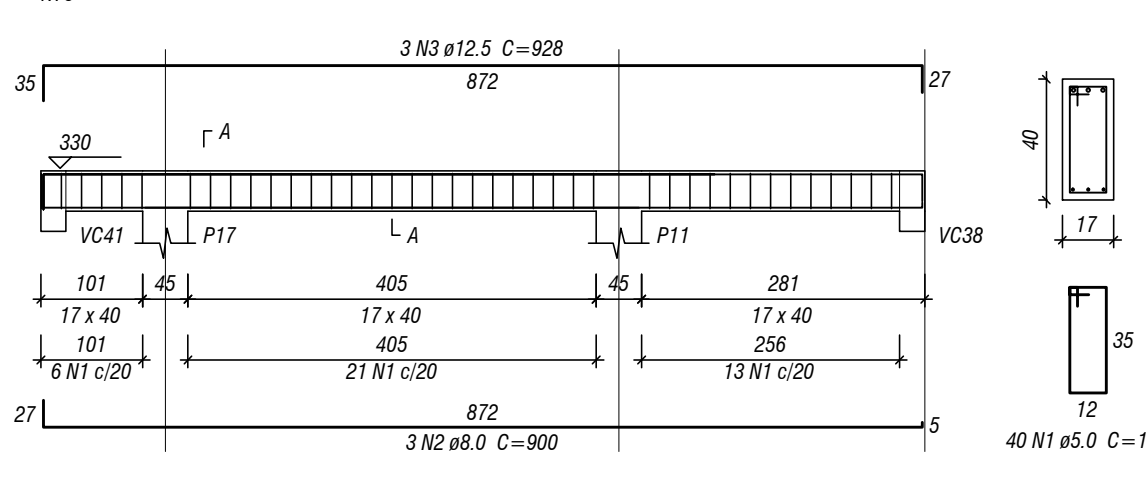
VC48 (17 x 40)



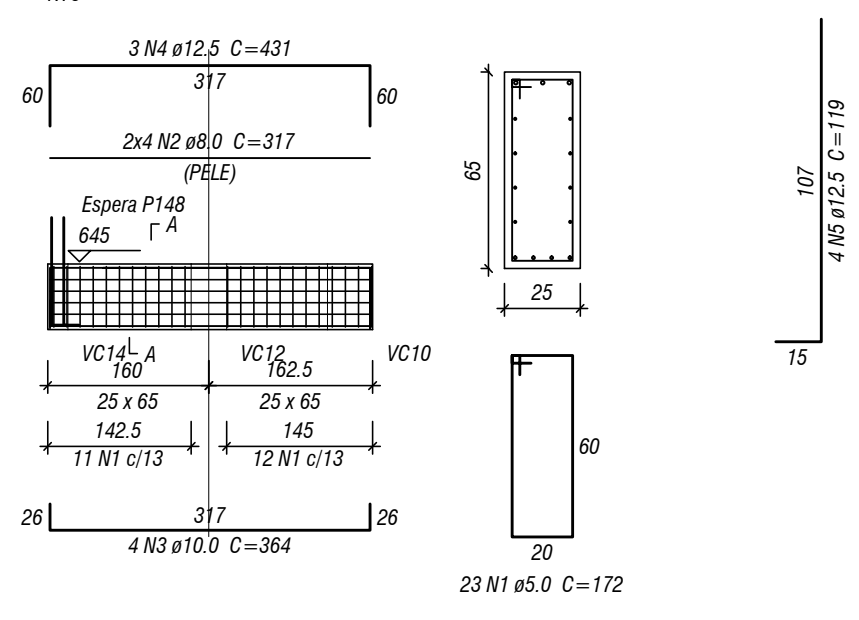
VC46 (17 x 40)



VC47 (17 x 40)



VC51 (25 x 65)



Relação do aço

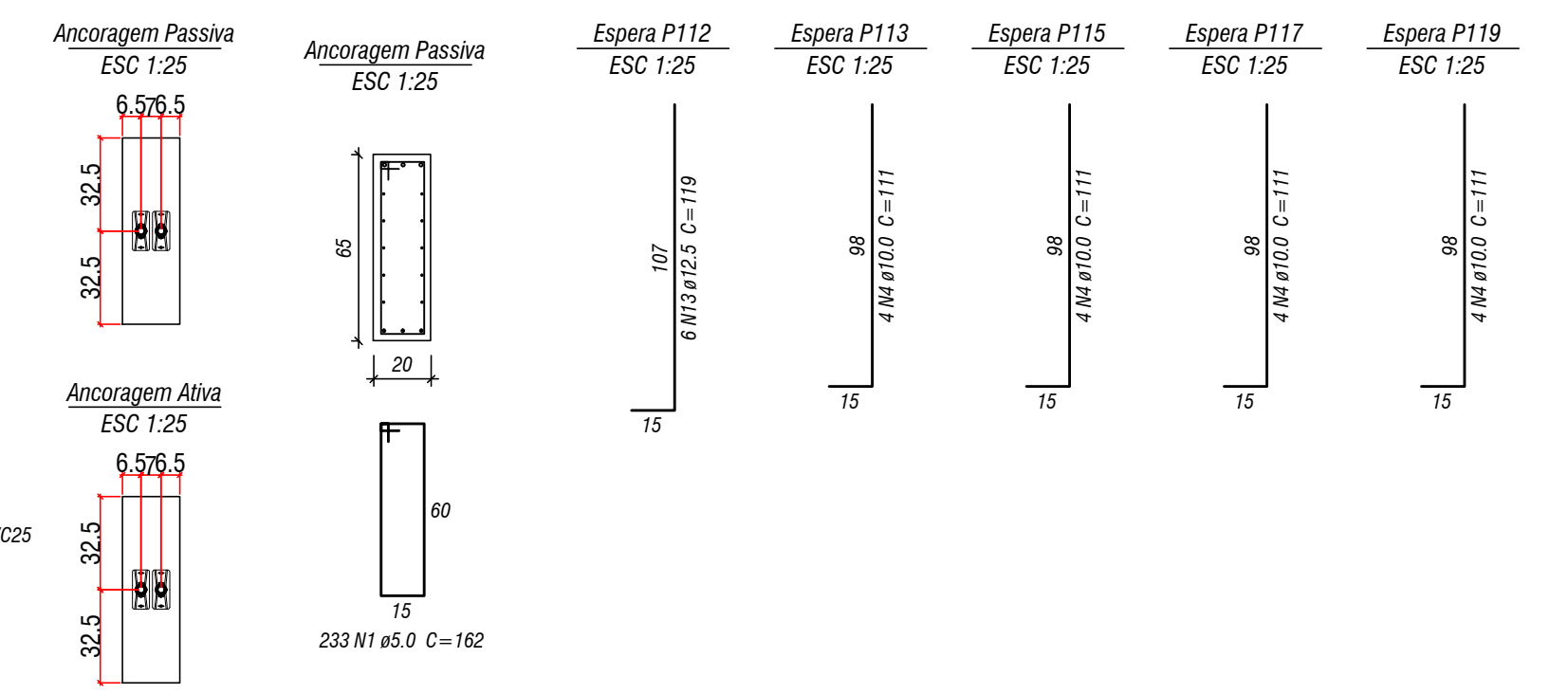
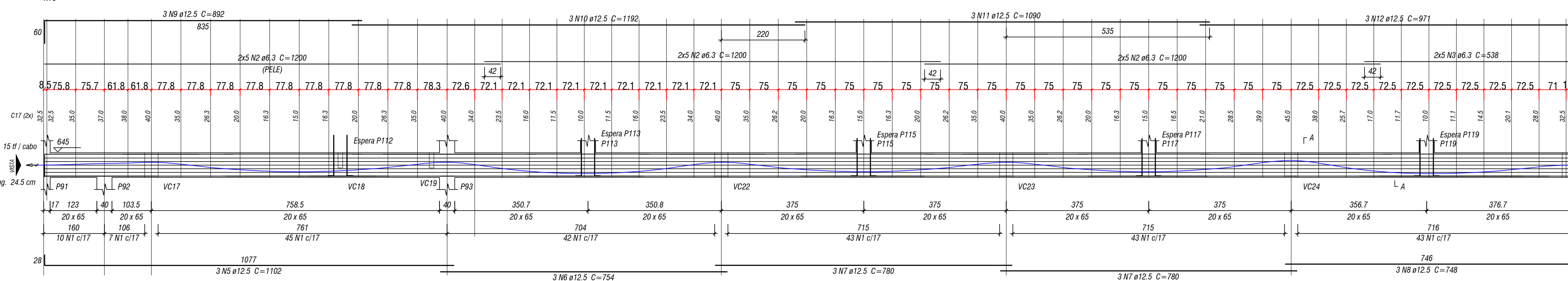
ELEMENTO	AÇO	N	DIAM	Q	UNIT (cm)	C.TOTAL (cm)
VC37	CA50	1	5.0	70	156	10620
	CA50	2	6.3	8	1200	9600
	CA50	3	6.3	8	361	2888
	CA50	4	10.0	5	1160	3480
	CA50	5	10.0	3	418	1254
	CA50	6	12.5	1	300	300
	CA50	7	12.5	3	805	2418
	CA50	8	12.5	3	797	2391
	CA50	9	12.5	12	119	1428
	CA50	1	6.3	10	1200	12000
	CA50	2	6.3	10	1079	10790
	CA50	3	6.3	198	162	30776
	CA50	4	12.5	3	639	1917
	CA50	5	12.5	3	667	2001
	CA50	6	12.5	4	688	2752
	CA50	7	12.5	3	987	2961
	CA50	8	16.0	2	1047	2094
	CA50	9	16.0	5	550	2750
	CA50	10	16.0	4	435	1740
	CA50	11	16.0	2	1097	2194
	CA50	12	16.0	2	272	544
	CA50	1	6.3	10	1200	12000
	CA50	2	6.3	10	1079	10790
	CA50	3	6.3	169	182	27378
	CA50	4	12.5	3	499	1497
	CA50	5	12.5	4	635	1905
	CA50	6	12.5	4	660	2640
	CA50	7	12.5	2	1020	2040
	CA50	8	16.0	2	355	710
	CA50	9	16.0	2	993	1986
	CA50	10	16.0	4	460	1840
	CA50	11	16.0	4	330	1320
	CA50	12	16.0	2	1092	2184
	CA50	13	16.0	2	360	720
	CA50	1	5.0	28	106	2968
	CA50	2	5.0	2	608	1216
	CA50	3	8.0	2	652	1304
	CA50	4	5.0	37	106	3922
	CA50	5	8.0	2	878	1756
	CA50	6	10.0	3	910	2730
	CA50	7	5.0	40	106	4240
	CA50	8	8.0	3	900	2700
	CA50	9	12.5	3	928	2784
	CA50	1	5.0	41	106	4346
	CA50	2	8.0	2	943	1886
	CA50	3	8.0	2	987	1974
	CA50	4	10.0	19	76	1444
	CA50	5	6.3	1	92	92
	CA50	6	8.0	2	348	696
	CA50	7	10.0	2	371	742
	CA50	8	5.0	23	172	3956
	CA50	9	8.0	8	317	2536
	CA50	10	4	384	1456	
	CA50	11	12.5	3	431	1293
	CA50	12	5.0	4	119	476

Resumo do aço

AÇO	DIAM	C.TOTAL (m)	PESO (kg)
CA50	6.3	1179.2	297.4
	8.0	140.7	55.5
	10.0	96.8	59.7
	12.5	302.4	391.3
	16.0	181.7	286.7
CA60	5.0	318	49

Vol. de concreto total (C=30) = 11.3 m³
Área de forma total = 126.92 m²

VC1 (20 x 65) - PROTENDIDA (2x Cabo C17)



VC2 (20 x 65) - PROTENDIDA (4x Cabo C18)

